



With integrated  
power cooling

## Fornax<sup>®</sup> T

**The compact centrifugal casting machine with induction melting and integrated power cooling**

- Compact benchtop casting machine with very high-performance induction heating guarantees short melting cycles, minimises oxidation and thus facilitates subsequent finishing
- Compact dimensions and design give the new Fornax<sup>®</sup> T a very small footprint
- Integrated power cooling enables more than 50 casts in a row, even with high ambient temperatures
- Casting temperature of up to 1550°C: ideal for all commercially available dental alloys (except titanium)
- Quick adjustment to different sizes of casting rings using a simple mechanism
- Very quick adjustment to different casting mould sizes by means of a simple mechanism ensures fast working

Partners in Progress



## Fornax® T – From dental technicians for dental technicians

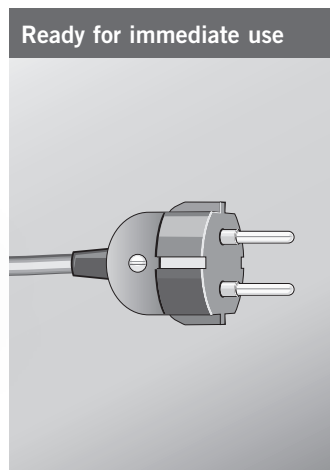
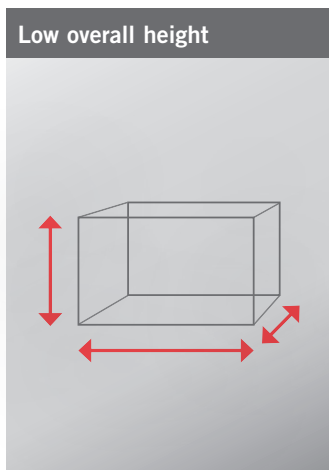
In consultation with our customers it was our main aim to further optimise our compact centrifugal casting machine Fornax® T systematically while maintaining the Fornax® T concept that has been used successfully worldwide.

### The design – ergonomic and compact

The Fornax® T functions have been valued by users for many years: an ergonomic, compact centrifugal casting machine with all the technical and economic advantages.

#### The advantages for you:

- The low overall height means that a lower workbench is no longer required
- There is sufficient space on any laboratory bench for the unit
- A standard, fused Schuko socket is all that is required to make the machine immediately ready to use



Fornax® T – ergonomically compact with all the technical advantages

## The technology in detail

Fornax® T has a very powerful induction heating of 3,600 VA.

#### The advantages for you:

- Rapid heating and melting of all commercially available precious and non-precious alloys (except titanium)
- Sufficient power reserves even with critical alloys
- Oxidation is minimised to the absolute necessary due to rapid melting to the casting temperature and facilitates trimming at a later stage

BEGO has developed a special crucible safety base for optimal protection of your machine during the casting procedure.

#### The advantages for you:

- If the crucible fails, the molten metal will be safely collected in the ceramic safety base
- This effectively prevents any serious damage to the machine

In addition to timing the casting point, the multi-functional display also shows the service notification and enables help to be obtained quickly when servicing is required.



Clear display

## Integrated power cooling system

The Fornax® boasts integrated power cooling.

#### The advantages for you:

- More than 50 casts in a row are possible, even if ambient temperatures are high
- Does not require a water supply or water outlet – can be used immediately anywhere
- No water consumption, no water damage and no reliance on local water quality
- Furthermore, the costs of installing an expensive water system are saved
- Since the unit does not require a water supply, condensation forming on the crucible coil in the winter months is no longer a concern; “explosions”, mould cracks and the resulting flawed casts are a thing of the past

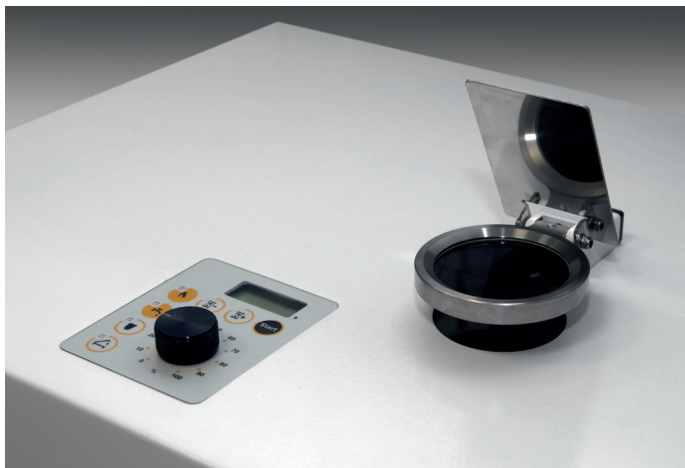


## Simple handling

The counterweight is very easily set using an adjustment mechanism with a toothed segment that has predefined markings for different sizes of casting rings.

### The advantages for you:

- Adjustment to the correct size of casting ring in a matter of seconds ensures effective operation
- The tare unit is self locking and does not have to be fixed in position separately



## Constant further development of the ceramic crucibles ensures optimal castings

The ceramic crucibles for Fornax® casting machines in original BEGO quality provide you with **many advantages**:

- Excellent thermal shock resistance up to 1,500°C, which minimises the risk of splitting
- Special geometry ensures that alloys flow optimally
- The integrated crucible protection reduces casting residue in the crucible for cost-effective casting
- The smooth, high-grade surfaces also emphasise the high quality of the crucible and provide it with a perfect finish



Fornax® crucibles

### Fornax® T

#### Technical data

|                            |                       |
|----------------------------|-----------------------|
| • Height                   | 450 mm                |
| • Height with the lid open | 965 mm                |
| • Width                    | 650 mm                |
| • Depth                    | 625 mm                |
| • Depth with the lid open  | 640 mm                |
| • Rated voltage            | 230 V, 50/60 Hz       |
| • Special voltage          | 200 – 240 V, 50/60 Hz |
| • Power consumption        | approx. 16 A          |
| • Induction melting power  | 3.6 kVA, 65 kHz       |
| • Weight                   | approx. 70 kg         |

CE

### Products and accessories

| Products                                       | Presentation   | Contents  | REF   |       |
|--|----------------|-----------|-------|-------|
| • Fornax® T 230 V, 50/60 Hz                    |                |           | 26425 |       |
| • Ceramic crucible                             | 1 pack         | 6         | 52482 |       |
| • Graphite inserts                             | 1 pack         | 6         | 52454 |       |
| • Ceramic inserts for ceramic crucible         | 1 pack         | 6         | 52455 |       |
| • Crucible former, size 3, 6 and 9             |                | 1 of each |       |       |
| <b>Accessories</b>                             |                |           |       |       |
| • Crucible former                              | Size 3         | 1 set     | 4     | 52627 |
|  | Size 6         | 1 set     | 4     | 52628 |
|  | Size 9         | 1 set     | 4     | 52629 |
| • Furnace tongs, 64 cm long                    |                | 1         |       | 11599 |
| • Furnace tongs, 55 cm long                    |                | 1         |       | 39754 |
| • Fornax® holder for 4 crucibles and 1 x tongs |                | 1         |       | 25337 |
| • Wiromelt flux (for non-precious metal)       | 80 g container | 1         |       | 52526 |
| • Auromelt HF flux                             | 65 g dispenser | 1         |       | 52525 |

We reserve the right to make changes in the design, pack contents and composition. Statements and recommendations on technique are based on our experience and tests and should be regarded as guidelines.



[www.bego.com](http://www.bego.com)

**BEGO Bremer Goldschlägerei Wilh. Herbst GmbH & Co. KG**  
Wilhelm-Herbst-Str. 1 · 28359 Bremen, Germany  
Telefon +49 421 2028-0 · Telefax +49 421 2028-100  
E-Mail: [info@bego.com](mailto:info@bego.com) · [www.bego.com](http://www.bego.com)